

DYNAPAC

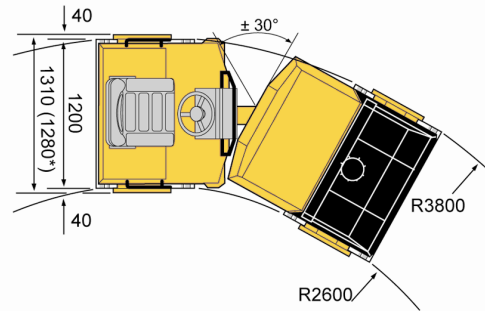
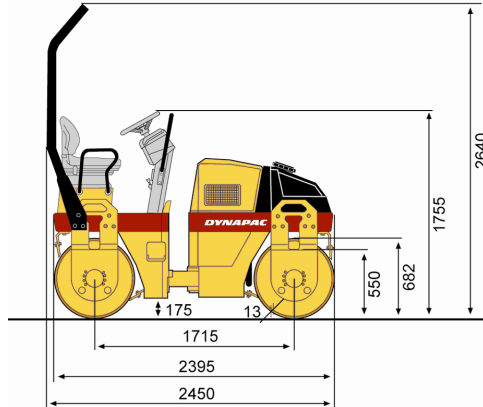
Part of the Atlas Copco Group

CC122

Double drum vibratory rollers



Technical data



(*without ROPS)

Masses	CC122
Max. operating mass	2,710 kg
Operating mass (incl. ROPS)	2,600 kg
Front module mass	1,260 kg
Rear module mass	1,340 kg
Traction	
Speed range (km/ h)	0-10
Vertical oscillation	±10°
Theor. gradeability	45
Compaction	
Static linear load, front	10.50 kg/ cm
Static linear load, rear	11.20 kg/ cm
Nominal amplitude	0.50 mm
Vibration frequency	58 Hz
Centrifugal force	27 kN
Water tank (l)	160
Engine	
Manufacturer	Deutz
Model	D2011 L02 I
Type	Air cooled diesel
Rated power	31 hp
Rated power	23 kW
Rated power @	2,800 rpm
Rated power (rating standard)	SAE J1995
Fuel tank capacity	50 l
Hydraulic system	
Driving	Axial piston pump with variable displacement and servo. 2 radial piston motors with constant displacement.
Vibration	Gear pump/ motors with constant displacement.
Steering	Gear pump with constant displacement.
Service brake	Hydrostatic in forward and reverse lever.
Parking/ Emergency brake	Failsafe multidisc brake in both drums.

Find your local dealer at www.dynapac.com

We reserve the right to change specifications without notice. Photos and illustrations do not always show standard versions of machines. The above information is a general description only, all informations are supplied without liability.